

CLIENT:

Limestones & Marble are a natural material and may vary in texture, color and veining intensity.
Please consider a dimensional tolerance of 1/8"

© CHESNEYS 2018

CHESNEYS

HEAD OFFICE:
194-202 BATTERSEA PARK ROAD, BATTERSEA, LONDON
TELEPHONE: +44 (0) 20 7627 1410
WEB SITE: WWW.CHESNEYS.CO.UK
E MAIL: SALES@CHESNEYS.CO.UK

MANTEL:
SPECIAL KENT BOLECTION

ROOM:
LIVING ROOM

MATERIAL:
LILAC MARBLE

FINISH:
HONED & WAXED

HEARTH:
3/4" HONED BLACK SLATE HEARTH
DIMENSIONS UP TO 80" X 20"
TO BE SUPPLIED BY NJ

SLIPS:
3/4" HONED BLACK SLATE SLIPS (SET OF 3) WITH CHAMFERED EDGE
DIMENSIONS AS PER DRAWING
TO BE SUPPLIED BY NJ

RETURNS:
3/4" HONED BLACK SLATE RETURNS
DIMENSIONS AS PER DRAWING
TO BE SUPPLIED BY NJ

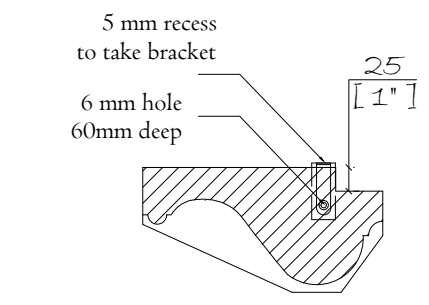
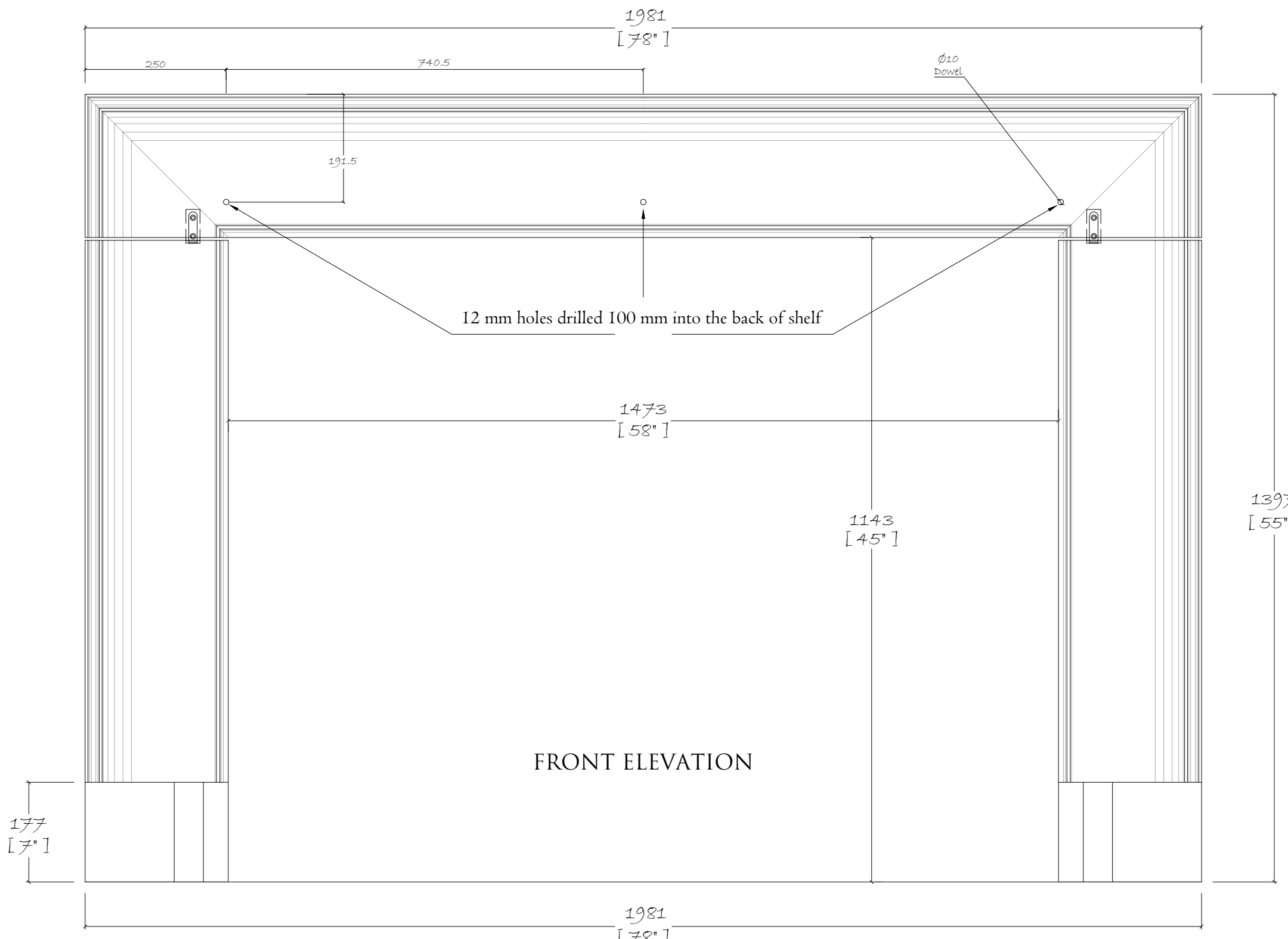
MANTEL WEIGHTS:
JAMB / EACH: 129.35 LB
HEADER: 204.78 LB
TOTAL: 463.48 LB

DRAWN BY:
LUIS VELA

DATE: 12/01/2021 SCALE: 1:10 @ A3

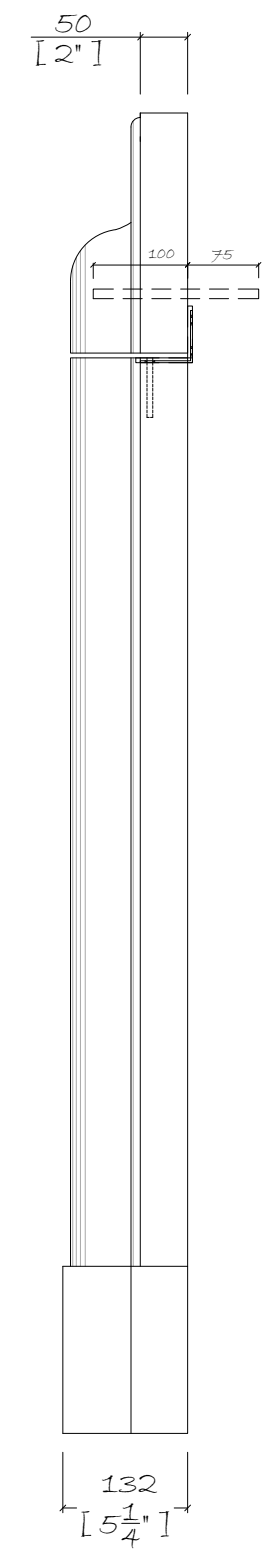
INVOICE NUMBER:
SOR0058472

DRAWING NO.: 01800 LV REV: R3





FRONT ELEVATION

PLAN



SIDE ELEVATION

BRACKETS & DOWELS CHART

	X 2 PIECES
	X 3 PIECES (175 MM X Ø 10 MM)

CLIENT:
12392 /
BOTTICELLI AND
POHL /
PHILLIPS

Limestones & Marble are a natural material and may vary in texture, color and veining intensity.
Please consider a dimensional tolerance of $\pm \frac{1}{8}$

© CHESNEYS 2018

CHESNEYS
HEAD OFFICE:
194-202 BATTERSEA PARK ROAD, BATTERSEA, LONDON
TELEPHONE: +44 (0) 20 7627 1410
WEB SITE: WWW.CHESENEYS.CO.UK
E MAIL: SALES@CHESNEYS.CO.UK

MANTEL:
SPECIAL KENT
BOLECTION

ROOM:
LIVING ROOM

MATERIAL:
LILAC MARBLE

FINISH:
HONED & WAXED

HEARTH:
 $\frac{3}{4}$ " HONED BLACK
SLATE HEARTH
DIMENSIONS UP TO
80" X 20"
TO BE SUPPLIED BY NJ

SLIPS:
 $\frac{3}{4}$ " HONED BLACK
SLATE SLIPS (SET OF 3)
WITH CHAMFERED EDGE
DIMENSIONS AS PER
DRAWING
TO BE SUPPLIED BY NJ

RETURNS:
 $\frac{3}{4}$ " HONED BLACK
SLATE RETURNS
DIMENSIONS AS PER
DRAWING
TO BE SUPPLIED BY NJ

MANTEL WEIGHTS:
JAMB / EACH: 129.35 LB
HEADER: 204.78 LB
TOTAL: 463.48 LB

DRAWN BY:
LUIS VELA

DATE: 12/01/2021
SCALE: 1:8 @ A3

INVOICE NUMBER:
SOR0058472

DRAWING NO.: 01800 LV
REV: R3