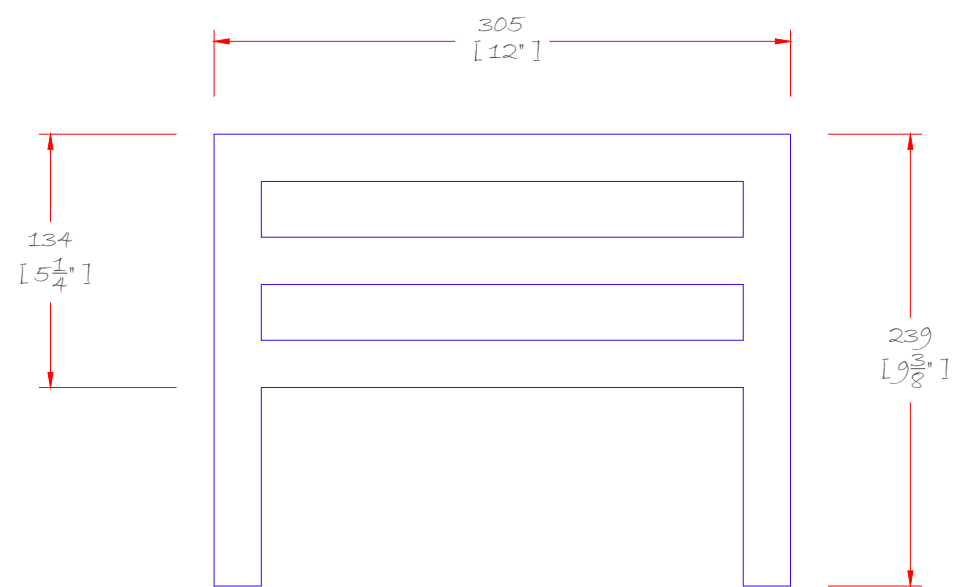
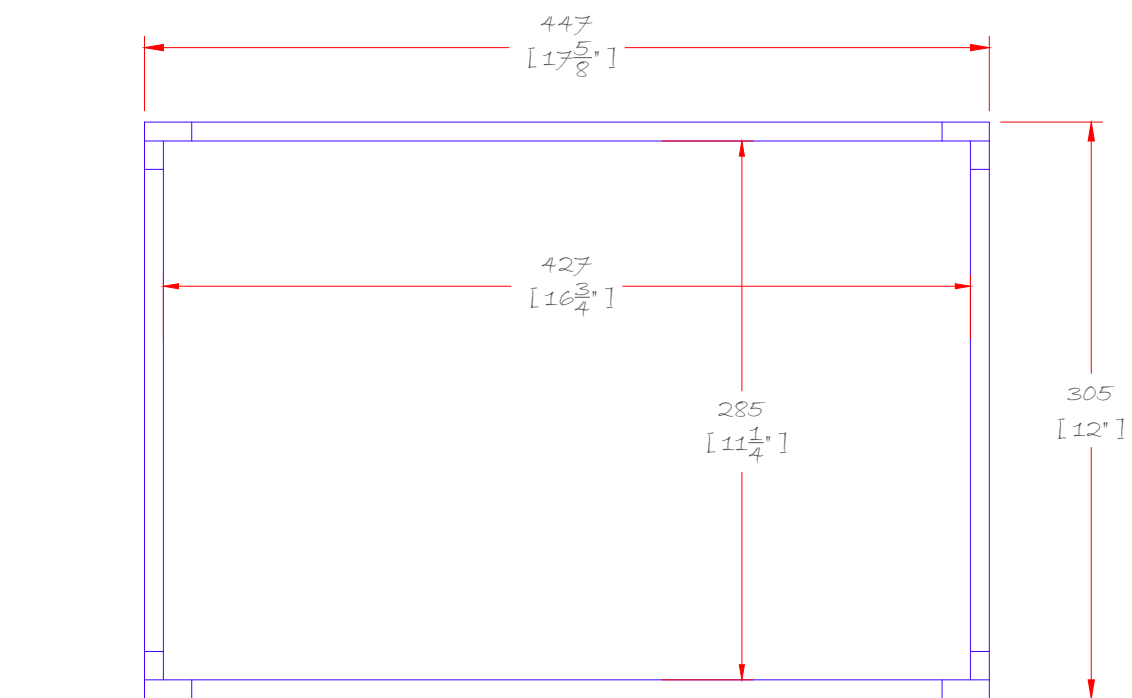


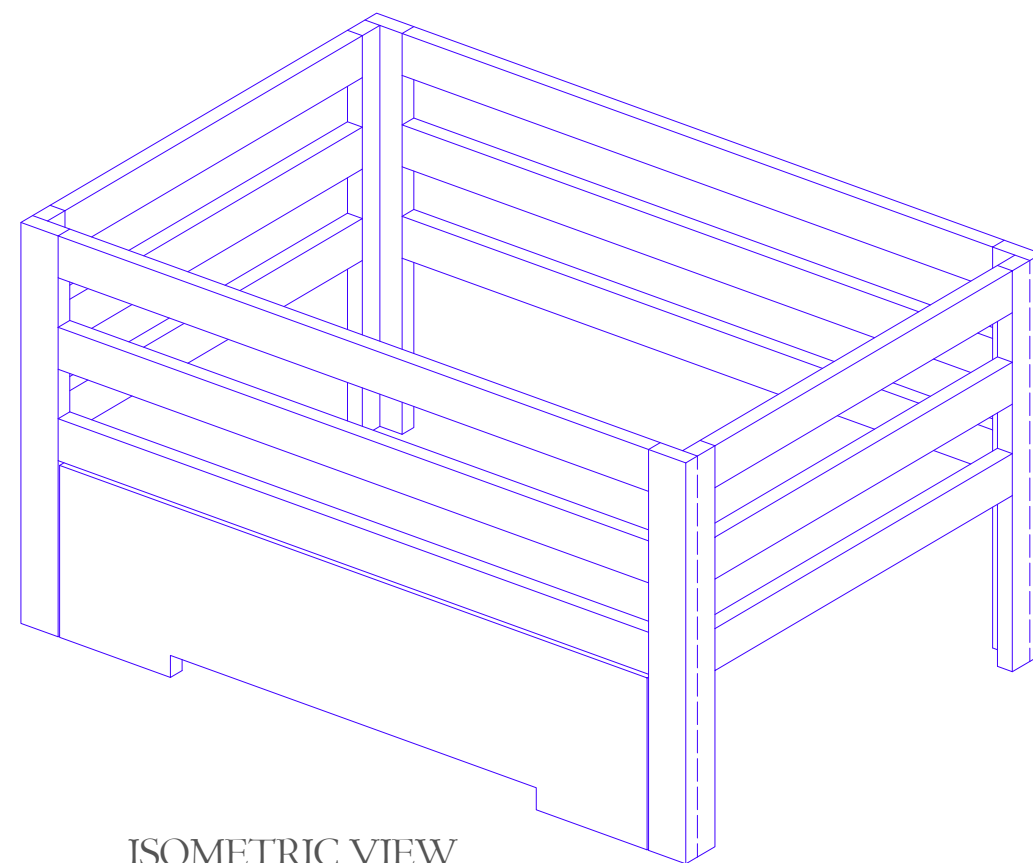
FRONT ELEVATION



SIDE ELEVATION



PLAN



ISOMETRIC VIEW

CLIENT

CDM Regulations - Design Risk Assessment
 The size and shape of individual stones for this project have been designed to satisfy the overall design requirements for the building, bill of quantities or specific project specification.
 All persons handling and installing such stones should be aware that there are risks associated with this type of work, which cannot be designed out.

Limestones & Marble are a natural material and may vary in texture, color and veining intensity.
 Please consider a dimensional tolerance of \pm

© CHESNEYS 2021

CHESNEYS

Head Office:
 194-202 Battersea Park Road, Battersea, London
 Telephone: +44 (0) 20 7627 1410
 Web Site: www.chesneys.co.uk
 E-mail: sales@chesneys.co.uk

BASKET

CORVO
FREESTANDING 18"

COMMENTS

Ash pan
 (No Handle)
 to be welded to basket

DRAWN BY

LB

DATE

030921

SCALE

1:4@A3

INVOICE NUMBER

DRAWING NO

00005

REV

A0